

# LED Linear Pendant

**LP53252**  
INSTALLATION SHEET

## START FROM HERE

- Make sure power is completely off at the fuse box.
- Have your fixture installed by a qualified licensed electrician
- Prepare everything in a clear area.
- Wear gloves at all times during this installation.
- Read instructions carefully before you start assembly.
- Keep this instruction sheet for future reference.

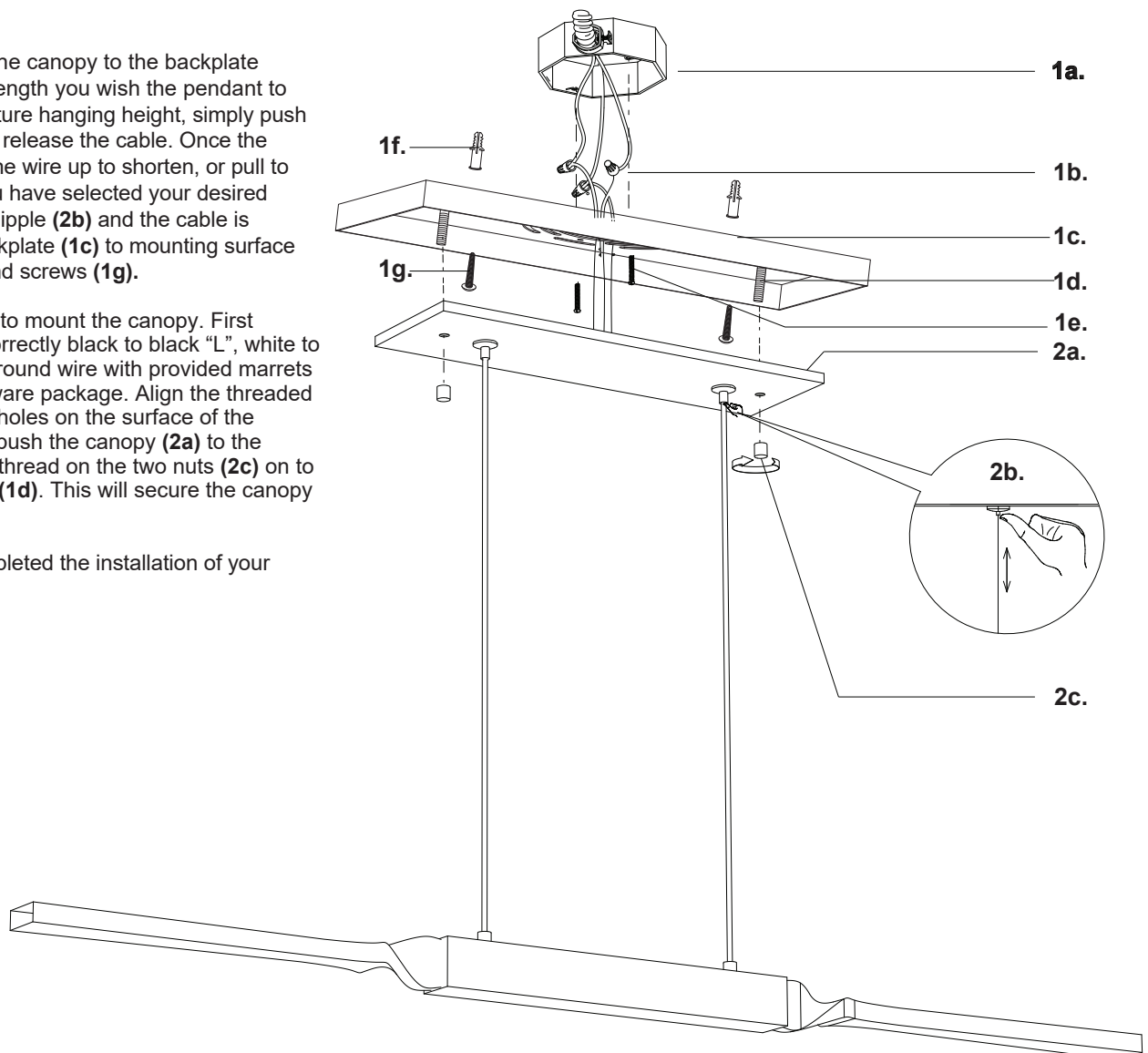
**Technical Support:** 1-855-855-8926

## Please Note:

- All Kuzco LED fixtures come with pre-wired LED module(s).
- Unless instructed to do so, please do not touch any part of the LED module(s) as any unnecessary contact with the module could cause permanent damage.
- For dimming, an ELV (Electronic Low Voltage) type of dimmer is required.

**CAUTION: HEAVY FIXTURE, THE JUNCTION BOX NEEDS TO BE REINFORCED BEFORE INSTALLATION.**

- 1.** Remove the fixture from its original packaging. Next, remove the backplate (1c) from within the canopy (2a) by un-threading the two nuts (2c). Center the backplate (1c) to the junction box (1a) and secure with screws (1e).
- 2.** Before you mount the canopy to the backplate select the desired length you wish the pendant to hang. To set the fixture hanging height, simply push the nipple (2b) in to release the cable. Once the cable is free push the wire up to shorten, or pull to lengthen. When you have selected your desired length release the nipple (2b) and the cable is secure. Secure backplate (1c) to mounting surface with anchors (1f) and screws (1g).
- 3.** You are now ready to mount the canopy. First connect all wires correctly black to black "L", white to white "N" and the ground wire with provided marrets (1b) from the hardware package. Align the threaded studs (1d) with the holes on the surface of the canopy (2a). Next, push the canopy (2a) to the backplate (1c) and thread on the two nuts (2c) on to the threaded studs (1d). This will secure the canopy to the backplate.
- 4.** You have now completed the installation of your fixture, enjoy.



**KUZCO**

19054 28th Avenue Surrey, BC Canada V3Z 6M3  
T: 604 538 7162 TF: 1-855 85 KUZCO F: 604 538 7196  
W: kuzcolighting.com  
20200414